

HydroPulse

Pneumatically Actuated - Flat Fan

DESIGN FEATURES

- Interchangeable flat fan spray tips
- Pneumatically actuated for crisp on/off spray
- Straight through porting for in-series set-up
- Variety of mounting brackets available

SPRAY CHARACTERISTICS

- Relatively coarse atomization
- Uniform distribution with tapered edges for use in overlapping sprays

Spray pattern: Flat Fan

Spray angles: 0° to 110°

Flow rate: 0.084 to 101 L/min



HP01 Assembly



HP02 Assembly



Easy to maintain; positive sealing performance!

- **Fluid Connection Size:** 1/8, 1/4, Female, NPT/BSP
Two fluid ports are standard, allowing for an in-series setup; a plug to seal one port is included.
- **Maximum Fluid Pressure:** 41.3 bar
- **Air Cylinders:** Single-acting spring extend type. Air pressure retracts the rod and allows flow through the nozzle. Removing air pressure extends the rod and seals the nozzle. Double-acting cylinder available upon request.
- **Air Connection Size:** 1/8 Female NPT; 1/8 Female BSP Adapter automatically included when fluid connection is BSP
- **Air Cylinder Pressure:** Minimum: 2 bar*; Maximum: 17.2 bar.
*For larger BJ tips, more pressure may be required to break seal.
- **Frequency Rating:** Up to 180 cycles/minute, with an appropriate solenoid valve (Cv=0.08 minimum).
- **Weights:** HP01 Assembly: 0.59 kg; HP02 Assembly: 0.68 kg
- **Operating Temperature Range:** -26 ° to 204 °C. Nylon Mounting Hardware: 121 °C MAX
- **Standard Materials:**

Body: Nickel-plated Brass or 303 Stainless Steel

Internals: PTFE, Viton, 303SS

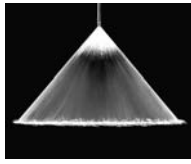
Air Cylinder: Stainless Steel, Anodized Aluminum, PTFE, and Viton®

Fluid Seals: FDA-compliant Viton®

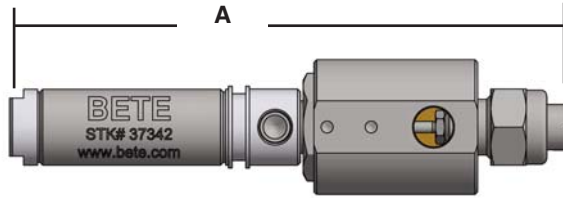
TO ORDER: specify pipe size, connection type, nozzle number, spray angle, and material.



SprayNozzle ENGINEERING
Total Spraying Solutions



Fan 80°



A - Overall Length (mm)	
HP01	HP02
152.4	192.8



FAN

Flat Fan (BJ) - Fan Tip Dimensions

Nozzle Tip Number	Equiv. Orifice Diameter (mm)	K Factor	LITERS PER MINUTE @ BAR							Standard Available Spray Angles*	
			0.3 bar	1 bar	2 bar	5 bar	10 bar	20 bar	40 bar		
BJ 0067	0.580	0.153	0.084	0.153	0.220	0.340	0.480	0.680	0.970	0, 15, 25, 40, 50, 65, 80	
BJ 0077	0.580	0.175	0.096	0.175	0.250	0.390	0.550	0.780	1.11	73	
BJ 01	0.710	0.228	0.120	0.228	0.320	0.510	0.720	1.02	1.44	0, 15, 25, 40, 50, 65, 80, 95, 110	
BJ 0116	0.910	0.264	0.140	0.264	0.370	0.590	0.840	1.18	1.67	73	
BJ 015	0.970	0.342	0.190	0.342	0.480	0.760	1.08	1.53	2.16	0, 15, 25, 40, 50, 65, 80, 95, 110	
BJ 02	0.990	0.456	0.250	0.456	0.640	1.02	1.44	2.04	2.88	0, 15, 25, 40, 50, 65, 80, 95, 110	
BJ 03	1.19	0.684	0.370	0.684	0.970	1.53	2.16	3.06	4.32	0, 15, 25, 40, 50, 65, 80, 95, 110	
BJ 04	1.40	0.912	0.500	0.912	1.29	2.04	2.88	4.08	5.77	0, 15, 25, 40, 50, 65, 80, 95, 110	
BJ 05	1.55	1.14	0.620	1.14	1.61	2.55	3.60	5.10	7.21	0, 15, 25, 40, 50, 65, 80, 95, 110	
BJ 06	1.70	1.37	0.750	1.37	1.93	3.06	4.32	6.11	8.65	0, 15, 25, 40, 50, 65, 80, 95, 110	
BJ 08	1.88	1.82	1.00	1.82	2.58	4.08	5.77	8.15	11.5	0, 15, 25, 40, 50, 65, 80, 95, 110	
BJ 10	2.18	2.28	1.25	2.28	3.22	5.10	7.21	10.2	14.4	0, 15, 25, 40, 50, 65, 80, 95, 110	
BJ 15	2.72	3.42	1.87	3.42	4.83	7.64	10.8	15.3	21.6	0, 15, 25, 40, 50, 65, 80, 95, 110	
*HP 02 ONLY	BJ 20	3.18	4.56	2.5	4.56	6.45	10.2	14.4	20.4	28.8	0, 15, 25, 40, 50, 65, 80, 95, 110
	BJ 30	3.67	6.84	3.74	6.84	9.67	15.3	21.6	30.6	43.2	0, 15, 25, 40, 50, 65, 80, 95, 110
	BJ 40	3.97	9.12	4.99	9.12	12.9	20.4	28.8	40.8	57.7	0, 15, 25, 40, 50, 65, 80, 95, 110
	BJ 50	4.37	11.4	6.24	11.4	16.1	25.5	36	51	72.1	15, 25, 40, 50, 65, 80, 95, 110
	BJ 60	4.76	13.7	7.49	13.7	19.3	30.6	43.2	61.1	86.5	15, 25, 40, 50, 65, 80, 95, 110
	BJ 70	5.16	16.0	8.74	16.0	22.6	35.7	50.4	71.3	101	15, 25, 40, 50, 65, 80, 95, 110

$$\text{Flow Rate (L/min)} = K\sqrt{\text{bar}}$$

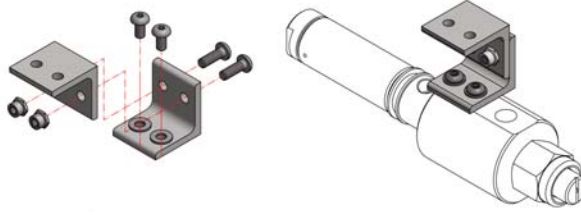
BJ tip materials: Brass, 303SS, and 316SS

Spray angle performance varies with pressure. Contact BETE for specific data on critical applications.

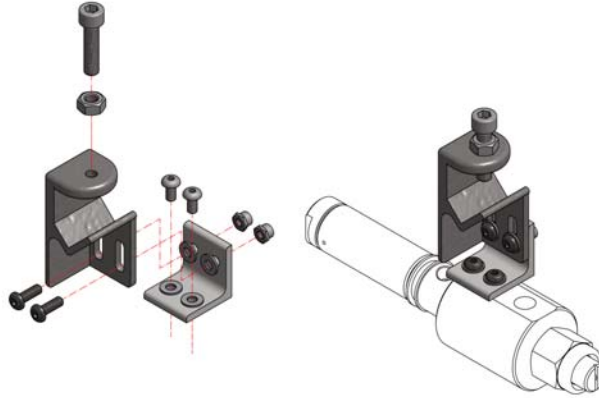
HydroPulse

Optional Mounting Bracket Kits

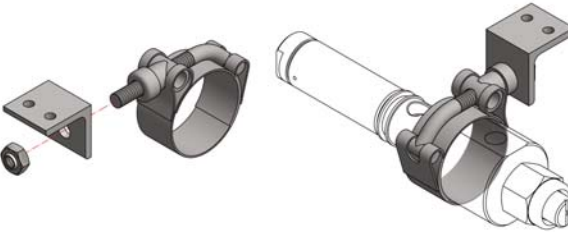
**Kit 01
Angle Bracket**



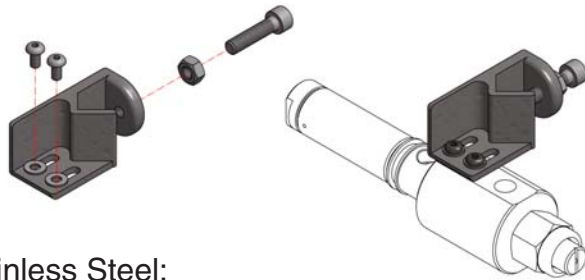
**Kit 02
V-Block Bracket**



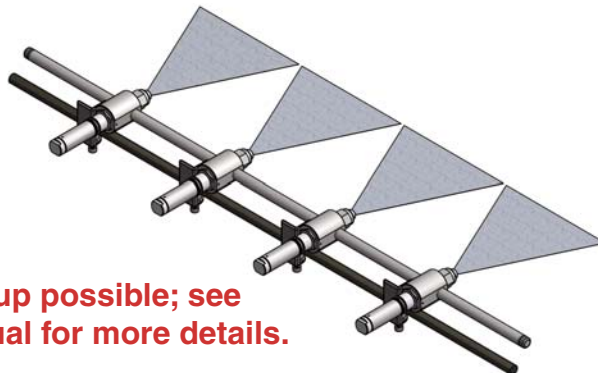
**Kit 03
Clamp Bracket**



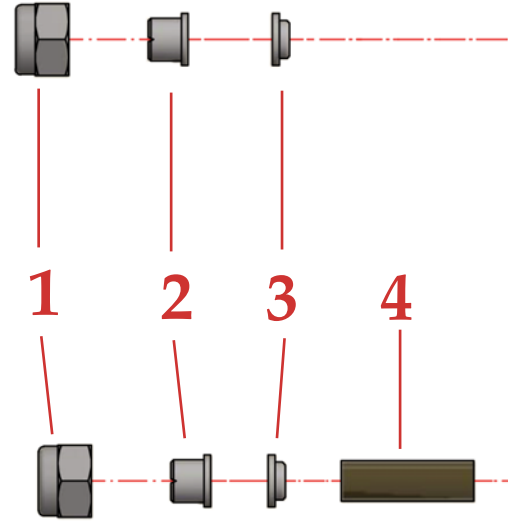
**Kit 04
Direct Mount
V-Block Bracket**



Brackets: 316 Stainless Steel;
Hardware: 18-8SS with Nylon locking insert



**In-series set-up possible; see
instruction manual for more details.**



Item Number	Part Name
1	CAP NUT
2	TIP (BJ, BJH, CW, ST)
3	SEALING WASHER
4	FLOW CONDITIONER (HP 02 ONLY)
5	HEX SOCKET PLUG
6	BODY
7	SEALING TIP
8	JAM NUT
9	BUSHING O-RING
10	BUSHING
11	AIR CYLINDER O-RING (x2)
12	BACK-UP RING
13	COMPRESSIBLE BUSHING
14	AIR CYLINDER

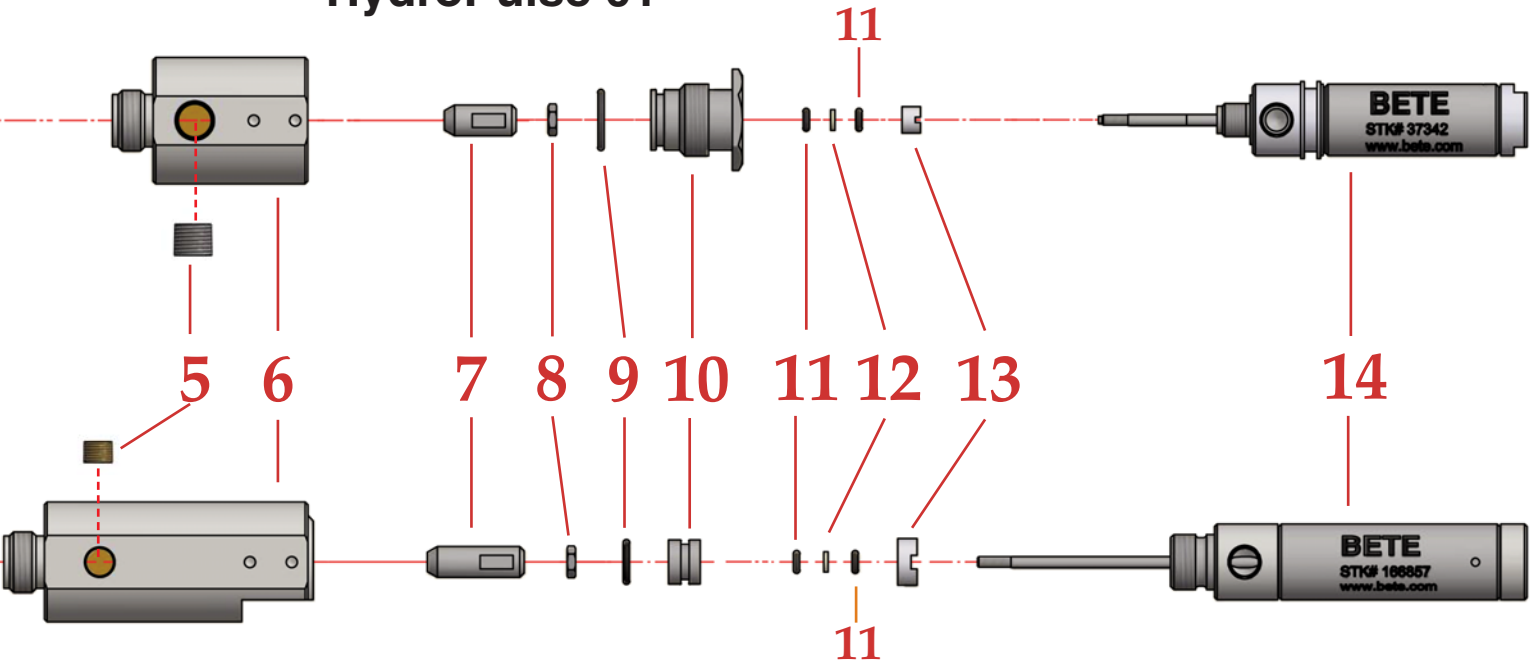


FAN

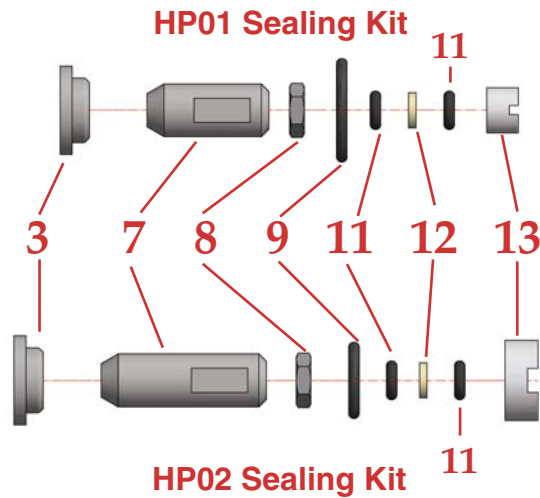
TO ORDER: specify pipe size, connection type, nozzle number, spray angle, and material.

HydroPulse® Components & Options

HydroPulse 01



HydroPulse 02



TO ORDER

